

#14422 Modern Bar Kit

Step-by-step assembly instructions

Copyright miniatures.com 2024

PARTS LIST:

Countertop
Top
Bottom
Shelf
Side (2)
Wall



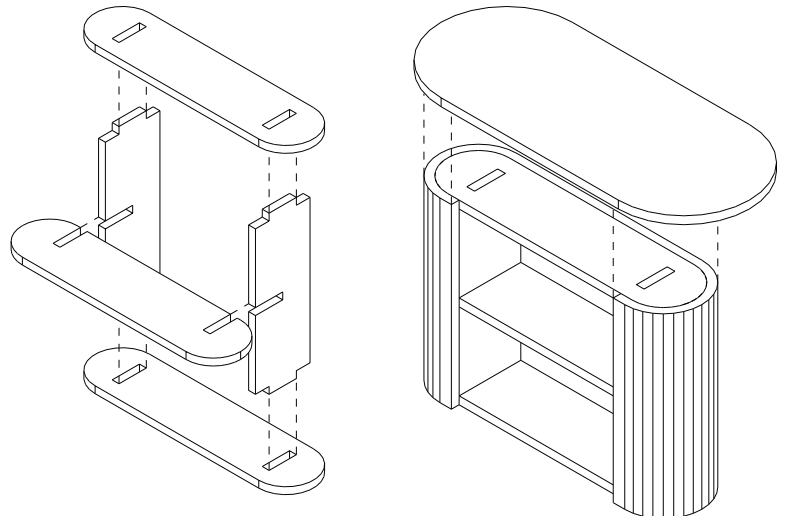
GENERAL INSTRUCTIONS

- Identify and inspect all parts using the Parts List.
- Thoroughly read the directions before starting.
- Set up a dedicated work area to avoid the need to unpack, repack, or move the project frequently.
- Use a clean, level, and dry work surface protected from glue spills.
- Dry fit the parts using masking tape to ensure everything aligns correctly before permanent assembly.

Assembly Instructions

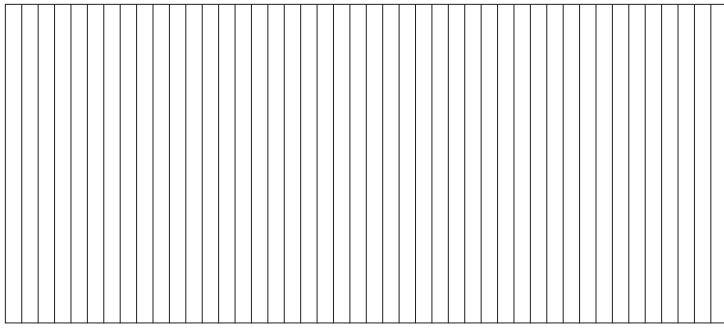
1. Assemble a box using the **Top**, **Bottom**, and **Sides** following the tab & slot pattern. Orient the **Sides** in the same direction.
2. Glue the **Shelf** in place. Its slots meet the slots in the **Sides**.
3. Assure the assembly is square and let the glue dry.
4. Shape the **Wall** by gently pressing it around the assembly. Then glue it in place. Its exact placement is by preference. The wall can be separated into and glued as separate strips, if desired.
5. Glue the **Countertop** to the assembly. Its exact placement is by preference.

Assembly is now complete. Enjoy finishing as desired.



Parts Diagram

Note: Not to scale



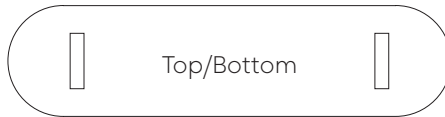
Wall



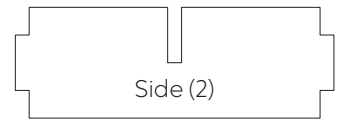
Countertop



Shelf



Top/Bottom



Side (2)